

METER-KLIP

is made of high quality plastic material with transparent cover to provide better indication of tampering.

The seal was designed with two anchors to provide high security dual locking action.

Material

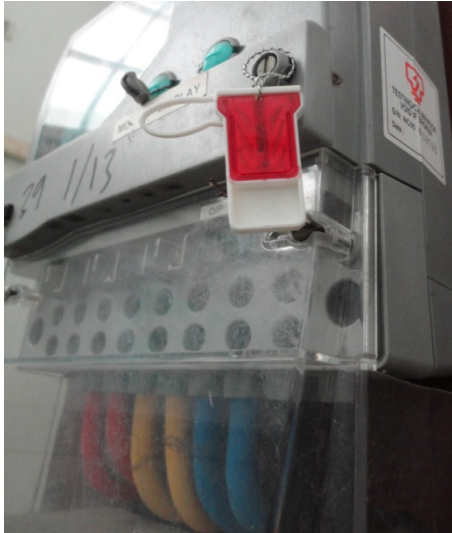
- Polycarbonate (PC)
- Copper coiled wire

Marking

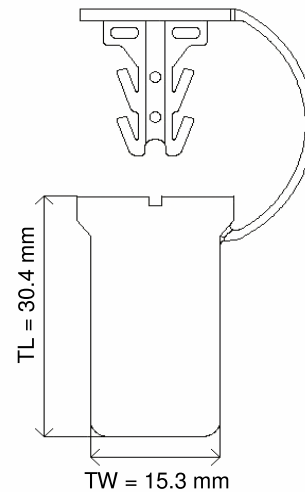
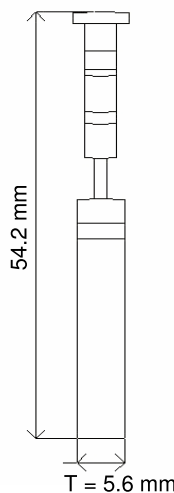
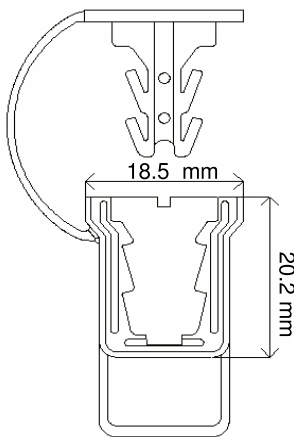
- Laser marking
- Customize name
- Sequential numbering
- Laser barcoding

Application

- Utilities Meters
- Tankers
- Banking
- Valves



Product Code	Dimension		Packaging		
	Tag Length, TL (mm)	Tag Width, TW (mm)	Quantity per box (pieces)	Weight per box (kg)	Box Dimension, L x W x H (mm)
MKLIP	30.4	15.3	1000	1.8	285 X 240 X 165



" A S SEAL SECURE YOUR ASSETS "