

REVOSEAL

is a padlock type seal made of high quality plastic material with triple locking mechanism. The seals are self- locking by just pressing down and once the seal is locked it could not open without clear sign of tampering.

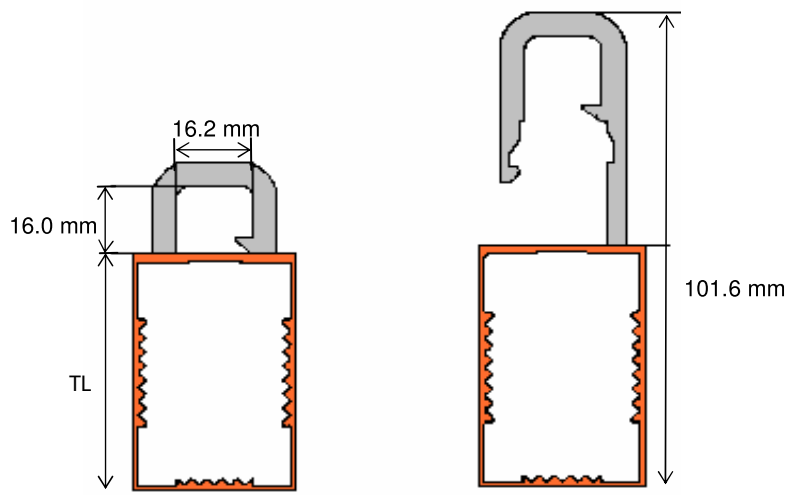
- Material**
- Body – Acrylonitrile Styrene (AS)
 - Hasp – Stainless Steel

- Marking**
- Laser marking
 - Customize name
 - Sequential numbering
 - Laser barcoding

- Application**
- Retails/ Distribution
 - Security boxes
 - Measuring devices
 - Gaming machines



Product Code	Dimension		Packaging		
	Tag Length, TL (mm)	Tag Width, TW (mm)	Quantity per box (pieces)	Weight per box (kg)	Box Dimension, L x W x H (mm)
REVO	50.5	32.0	1000	14.6	475 X 318 X 204



" A S SEAL SECURE YOUR ASSETS "

