

**Security Seals**

**TAVSEAL-2**

is a non spin high security seal container seal. This seal complies to ISO17712:2010 testing procedures done by Dayton T. Brown. It is made of steel encapsulated with high impact plastic material.



**Material**

- Body – ABS
- Locking – Stainless steel

**Properties**

- Tensile strength – 20kN
- Shear test – 8.9kN
- Bending test – 67Nm
- Impact test (18±3 °C) - >40.68J
- Impact test (-27±3 °C) - >40.68J
- Metal pin head diameter – 18mm

**Marking**

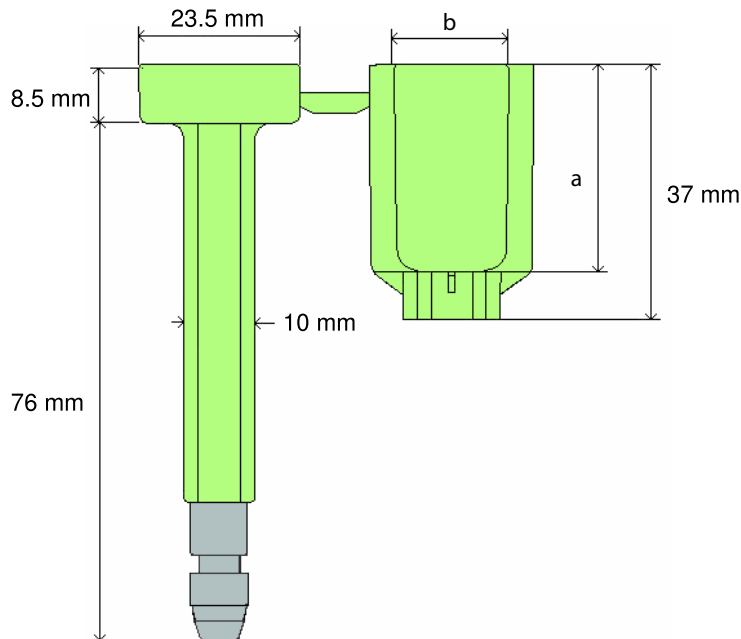
- Laser marking
- Customize name/logo
- Sequential numbering
- Laser barcoding

**Applications**

- Trailer
- Cargo container
- Rail freight

Product Code	Dimension		Packaging		
	Print Area, a x b (mm)		Quantity per box (pieces)	Weight per box (kg)	Box Dimension, L x W x H (mm)
	a	b			
TAV02(S)	30	16	200	12.9	448 X 328 X 140
TAV02(NS)	30	16	200	12.9	448 X 328 X 140

Note: (S) = Spin; (NS) = Non Spin



**" A S SEAL SECURE YOUR ASSETS "**

